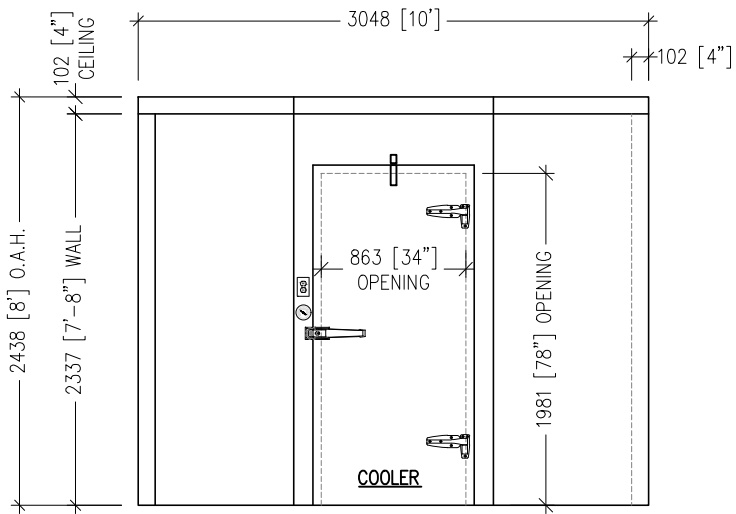
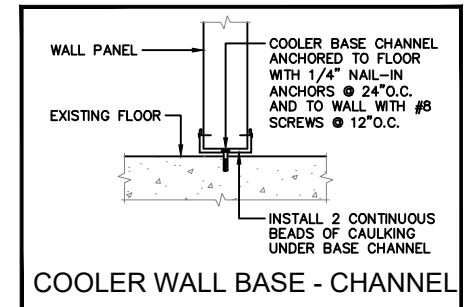


PLAN VIEW




FRONT ELEVATION

PARTS LIST	
QTY.	DESCRIPTION
1	34"x68" RHH COOLER SWING DOOR , POLISHED CHROME SPRING LOADED SELF CLOSING HINGES, DOOR CLOSER, MAGNETIC GASKET, #1238 STRIKE&LATCH, INTERIOR RELEASE KNOB
5PC	4"x8"L WALL BASE CHANNEL
1	VAPOUR PROOF LIGHT
1	DIAL THERMOMETER
1	PILOT LIGHT SWITCH
2	DOOR SUPPORT ANGLE
1	ALLEN KEY
75	WALL PLUGS
1	ASSEMBLY DRAWING



COOLER WALL BASE - CHANNEL

THIS DRAWING IS THE PROPERTY OF COLDMATIC REFRIGERATION A SUMIT PRODUCTS COMPANY AND IS SUBJECT TO RETURN UPON REQUEST. IT IS TO BE USED ONLY FOR THE PURPOSE FOR WHICH IT WAS LOANED AND IS NOT TO BE USED IN ANY WAY DETRIMENTAL TO THIS COMPANY.

CUSTOMER: -	DWG. BY	DATE	SCALE
	F.L	2024.10.23	N.T.S.
PROJECT: -	REVISION: 0.0		☐
TAG: WALK IN COOLER/ NO FLOOR			
FINISH: 26 GA. WHITE STUCCO EMBOSSED FINISH INTERIOR & EXTERIOR	61 Baywood, Etobicoke ON, M9V 3Y8 TEL: 416-744-7600 FAX: 416-744-7601		
P.O.#: -	S.O.#: -	DWG. NO: -	PG: 1 OF 1